



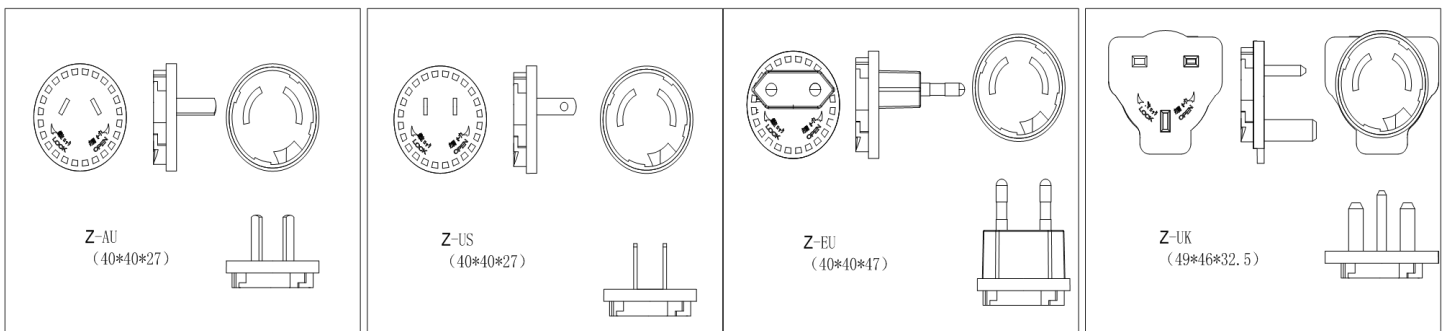
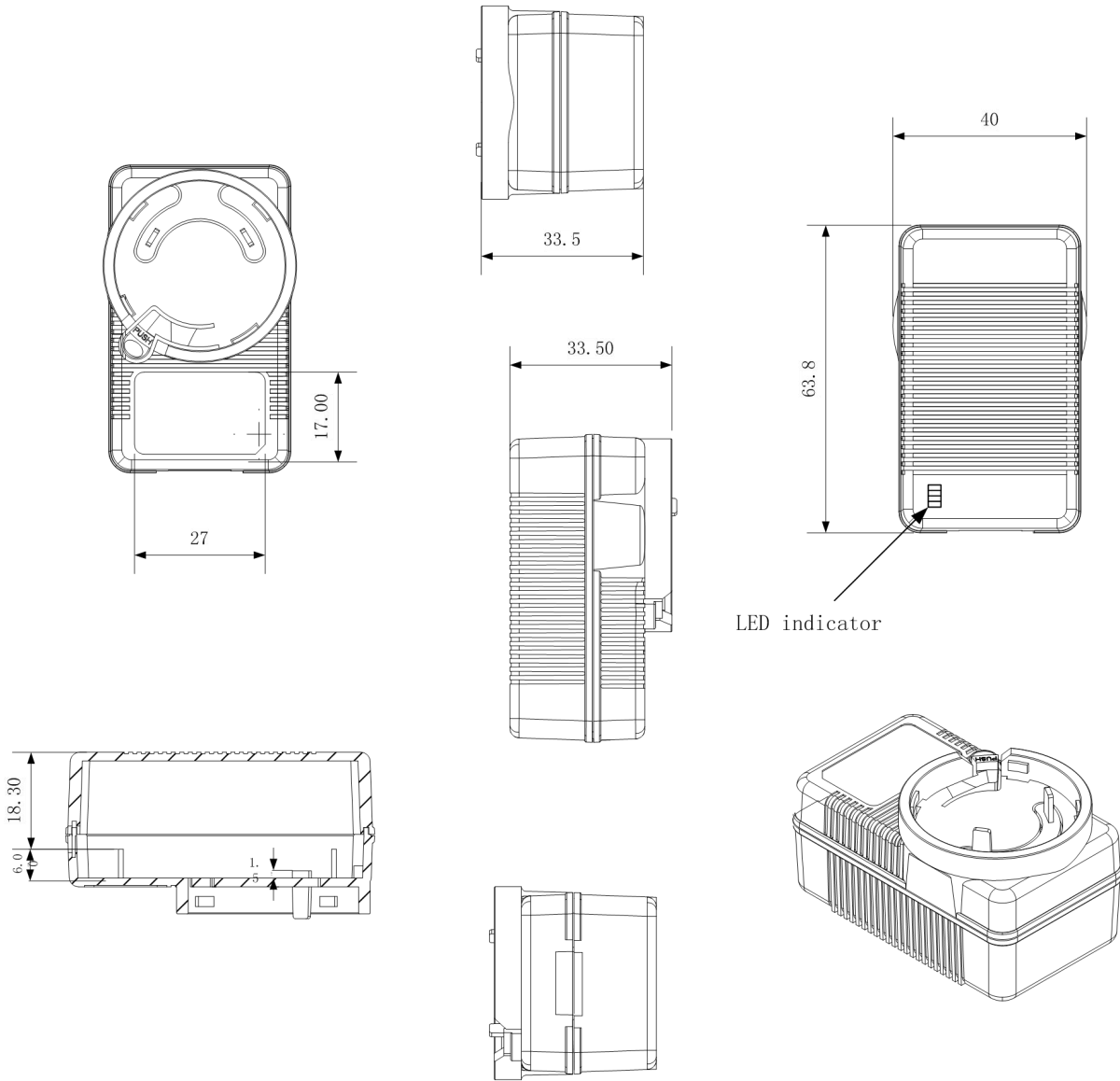
Feature:

- *Designed in USA, Made in China
- *Global Certificates.
- *Case Material: PC, GE brand
- * Fanless Design.
- * Fully sealed by ultrasonic welding.
- *Capacitor imported from Taiwan.
- *Support Interchangeable plug, EU, UK, US, AU, KR, JP, and CN Optional.
- *Protection: Over Load/Over Voltage/Over Current/Over Temp/Short-Circuit.
- *LED indicator show work status
- *Meet Energy Efficiency VI, Comply with CEC VI, DOE VI.
- *Comply With The Newest Safety Standard: UL62368, EN62368, IEC62368, IEC60950, IEC61558, and IEC60335.
- *Brand Power Cord and DC Wire matched our products.
- *Support customized Label and DC connector.

Electric Parameter:

DC Output	Output Voltage	5V	6V	9V	10V	12V	15V	18V	20V	24V	28V	30V	36V	38V	42V	48V	
	Voltage Tolerance	±5%	±5%	±5%	±5%	±5%	±5%	±5%	±4%	±4%	±4%	±4%	±4%	±4%	±4%	±4%	
	Rated Current	4A	3A	2.5A	2.3A	2A	1.6A	1.3A	1.2A	1A	0.8A	0.8A	0.7A	0.6A	0.6A	0.5A	
	Output Current	0-4A	0-3A	0-2.5A	0-2.3A	0-2A	0-1.6A	0-1.3A	0-1.2A	0-1A	0-0.8A	0-0.8A	0-0.7A	0-0.6A	0-0.6A	0-0.5A	
	Ripple and Noise:	<100mVp-p										<120mVp-p					
	LED Indicator	W or W/O															
AC Plug	Interchangeable plug	US,EU,UK,AU,KR,CN,JP etc															
AC Input	Input Voltage Range	90~264Vac															
	Rated Input Voltage:	100-240Vac															
	Frequency Range:	47~62hz															
	Input Current Max:	1.3A															
	Inrush Current:	35A Max/240V															
	Efficiency Min	82%	85%	86%	86%	86%	86%	86%	86%	86%	86%	86%	86%	86%	86%	86%	86%
	No load Input Power	≤0.1W															
	Leakage Current:	<0.25mA/240V															
Protection	Over Load	When output power between 110%-135% of rated output power, turns to Hiccup mode.															
	Over Voltage	When output voltage between 110%-135% of rated output voltage, turns to Hiccup mode.															
	Over Current	Hiccup mode, recovers automatically after fault condition is removed															
	Short Circuit	Hiccup mode, recovers automatically after fault condition is removed															
Environment	Operating Temp:	0°C~+45°C															
	Storage Temp:	-30°C~+70°C															
	Relative Humidity:	10%~90%															
	Vibration and Shock	Meet MIL-STD-810D															
Safety	Safety Standard	IEC 62368, IEC 60065, IEC 60950, IEC 61558, IEC 60335															
	EMC/EMI	Meet FCC CLASS B,EN55022 CLASS B.															
	EMS	EN61000—4—2/3/4/5															
	Drop Testing	3 drops from 1 m height on a hard wooden surface															
Life Time	MTBF	50000 Hours															
	Warranty	3 years															
Dimension	L72.3*W47.2*H30.5mm																
Drawing	See next page																
Packing	100pcs/CTN,CTN size:L46*W29.5*H33CM																
Color	Black or White																

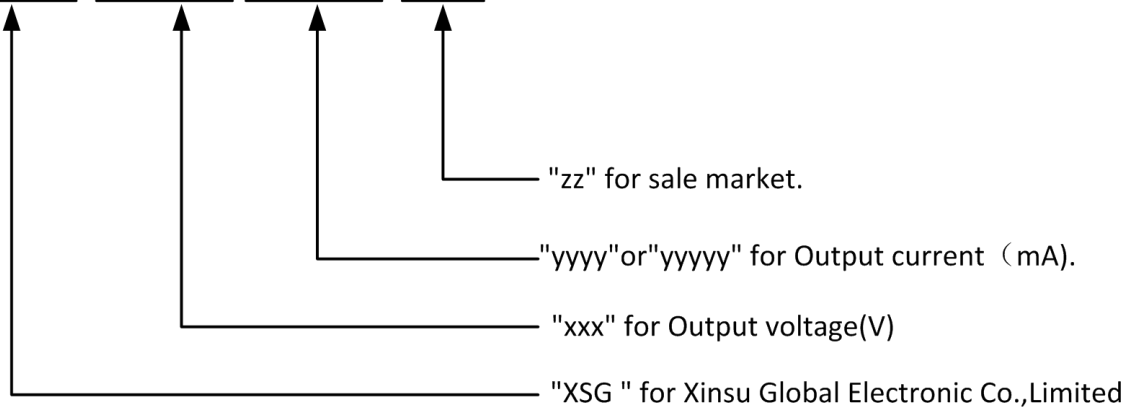
Drawing (mm): Interchangeable plug type



Model List:

Model Name instruction:

E.G.: XSG xxx yyyy zz



Model No	AC Input	Power Rate	Output Voltage(V)	Output Current(mA)
XSG0300300	100~240	0.9	3	300
XSG0300400	100~240	1.2	3	400
XSG0300500	100~240	1.5	3	500
XSG0300600	100~240	1.8	3	600
XSG0300700	100~240	2.1	3	700
XSG0300800	100~240	2.4	3	800
XSG0300900	100~240	2.7	3	900
XSG0301000	100~240	3.0	3	1000
XSG0301500	100~240	4.5	3	1500
XSG0302000	100~240	6.0	3	2000
XSG0302500	100~240	7.5	3	2500
XSG0303000	100~240	9.0	3	3000

XSG0303500	100~240	10.5	3	3500
XSG0304000	100~240	12.0	3	4000
XSG0420300	100~240	1.3	4.2	300
XSG0420400	100~240	1.7	4.2	400
XSG0420500	100~240	2.1	4.2	500
XSG0420600	100~240	2.5	4.2	600
XSG0420700	100~240	2.9	4.2	700
XSG0420800	100~240	3.4	4.2	800
XSG0420900	100~240	3.8	4.2	900
XSG0421000	100~240	4.2	4.2	1000
XSG0421500	100~240	6.3	4.2	1500
XSG0422000	100~240	8.4	4.2	2000
XSG0422500	100~240	10.5	4.2	2500
XSG0423000	100~240	12.6	4.2	3000
XSG0423500	100~240	14.7	4.2	3500
XSG0424000	100~240	16.8	4.2	4000
XSG0502100	100 ~ 240	10.5	5	2100
XSG0502500	100 ~ 240	12.5	5	2500
XSG0503000	100 ~ 240	15.0	5	3000
XSG0503500	100 ~ 240	17.5	5	3500
XSG0504000	100 ~ 240	20.0	5	4000
XSG0602500	100 ~ 240	15.0	6	2500
XSG0603000	100 ~ 240	18.0	6	3000

XSG0603500	100 ~ 240	21.0	6	3500
XSG0722500	100 ~ 240	18.0	7.2	2500
XSG0723000	100 ~ 240	21.6	7.2	3000
XSG0723500	100 ~ 240	25.2	7.2	3500
XSG0901750	100 ~ 240	15.8	9	1750
XSG0902000	100 ~ 240	18.0	9	2000
XSG0902500	100-240	22.5	9	2500
XSG0903000	100 ~ 240	27.0	9	3000
XSG1001500	100 ~ 240	15.0	10	1500
XSG1002000	100 ~ 240	20.0	10	2000
XSG1002500	100 ~ 240	25.0	10	2500
XSG1201200	100 ~ 240	14.4	12	1200
XSG1201250	100 ~ 240	15.0	12	1250
XSG1201500	100 ~ 240	18.0	12	1500
XSG1201750	100 ~ 240	21.0	12	1750
XSG1202000	100 ~ 240	24.0	12	2000
XSG1301500	100 ~ 240	19.5	13	1500
XSG1302000	100 ~ 240	26.0	13	2000
XSG1351000	100 ~ 240	13.5	13.5	1000
XSG1351500	100 ~ 240	20.3	13.5	1500
XSG1401000	100 ~ 240	14.0	14	1000

XSG1401200	100 ~ 240	16.8	14	1200
XSG1401500	100 ~ 240	21.0	14	1500
XSG1501000	100 ~ 240	15.0	15	1000
XSG1501200	100 ~ 240	18.0	15	1200
XSG1501500	100 ~ 240	22.5	15	1500
XSG1601000	100 ~ 240	16.0	16	1000
XSG1601500	100 ~ 240	24.0	16	1500
XSG1700900	100 ~ 240	15.3	17	900
XSG1701000	100 ~ 240	17.0	17	1000
XSG1701500	100 ~ 240	25.5	17	1500
XSG1800900	100 ~ 240	16.2	18	900
XSG1801000	100 ~ 240	18.0	18	1000
XSG1801200	100 ~ 240	21.6	18	1200
XSG1830900	100 ~ 240	16.5	18.3	900
XSG1831000	100 ~ 240	18.3	18.3	1000
XSG1831200	100 ~ 240	22.0	18.3	1200
XSG1900800	100 ~ 240	15.2	19	800
XSG1900900	100 ~ 240	17.1	19	900
XSG1901000	100 ~ 240	19.0	19	1000
XSG1901250	100 ~ 240	23.8	19	1250
XSG1950900	100 ~ 240	17.6	19.5	900

XSG1951000	100 ~ 240	19.5	19.5	1000
XSG2000800	100 ~ 240	16.0	20	800
XSG2000900	100 ~ 240	18.0	20	900
XSG2001000	100 ~ 240	20.0	20	1000
XSG2001250	100 ~ 240	25.0	20	1250
XSG2100800	100 ~ 240	16.8	21	800
XSG2100900	100 ~ 240	18.9	21	900
XSG2101000	100 ~ 240	21.0	21	1000
XSG2101200	100 ~ 240	25.2	21	1200
XSG2200700	100 ~ 240	15.4	22	700
XSG2200800	100 ~ 240	17.6	22	800
XSG2200900	100 ~ 240	19.8	22	900
XSG2201000	100 ~ 240	22.0	22	1000
XSG2250700	100 ~ 240	15.8	22.5	700
XSG2250800	100 ~ 240	18.0	22.5	800
XSG2250900	100 ~ 240	20.3	22.5	900
XSG2251000	100 ~ 240	22.5	22.5	1000
XSG2400700	100 ~ 240	16.8	24	700
XSG2400800	100 ~ 240	19.2	24	800
XSG2400900	100 ~ 240	21.6	24	900
XSG2401000	100 ~ 240	24.0	24	1000

XSG2550700	100 ~ 240	17.9	25.5	700
XSG2550800	100 ~ 240	20.4	25.5	800
XSG2550900	100 ~ 240	23.0	25.5	900
XSG2700600	100 ~ 240	16.2	27	600
XSG2700700	100 ~ 240	18.9	27	700
XSG2700800	100 ~ 240	21.6	27	800
XSG2700900	100 ~ 240	24.3	27	900
XSG2800600	100 ~ 240	16.8	28	600
XSG2800700	100 ~ 240	19.6	28	700
XSG2800800	100 ~ 240	22.4	28	800
XSG2800900	100 ~ 240	25.2	28	900
XSG2900600	100 ~ 240	17.4	29	600
XSG2900700	100 ~ 240	20.3	29	700
XSG2900800	100 ~ 240	23.2	29	800
XSG3000600	100 ~ 240	18.0	30	600
XSG3000700	100 ~ 240	21.0	30	700
XSG3000800	100 ~ 240	24.0	30	800
XSG3200500	100 ~ 240	16.0	32	500
XSG3200600	100 ~ 240	19.2	32	600
XSG3200700	100 ~ 240	22.4	32	700
XSG3200800	100 ~ 240	25.6	32	800

XSG3300500	100 ~ 240	16.5	33	500
XSG3300600	100 ~ 240	19.8	33	600
XSG3300700	100 ~ 240	23.1	33	700
XSG3400500	100 ~ 240	17.0	34	500
XSG3400600	100 ~ 240	20.4	34	600
XSG3400700	100 ~ 240	23.8	34	700
XSG3500500	100 ~ 240	17.5	35	500
XSG3500600	100 ~ 240	21.0	35	600
XSG3500700	100 ~ 240	24.5	35	700
XSG3600500	100 ~ 240	18.0	36	500
XSG3600600	100 ~ 240	21.6	36	600
XSG3600700	100 ~ 240	25.2	36	700
XSG3800500	100 ~ 240	19.0	38	500
XSG3800600	100 ~ 240	22.8	38	600
XSG4020400	100 ~ 240	16.1	40.2	400
XSG4020500	100 ~ 240	20.1	40.2	500
XSG4020600	100 ~ 240	24.1	40.2	600
XSG4200400	100 ~ 240	16.8	42	400
XSG4200500	100 ~ 240	21.0	42	500
XSG4200600	100 ~ 240	25.2	42	600
XSG4250400	100 ~ 240	17.0	42.5	400

XSG4250500	100 ~ 240	21.3	42.5	500
XSG4250600	100 ~ 240	25.5	42.5	600
XSG4300400	100 ~ 240	17.2	43	400
XSG4300500	100 ~ 240	21.5	43	500
XSG4300600	100 ~ 240	25.8	43	600
XSG4400400	100 ~ 240	17.6	44	400
XSG4400500	100 ~ 240	22.0	44	500
XSG4500400	100 ~ 240	18.0	45	400
XSG4500500	100 ~ 240	22.5	45	500
XSG4600400	100 ~ 240	18.4	46	400
XSG4600500	100 ~ 240	23.0	46	500
XSG4620400	100 ~ 240	18.5	46.2	400
XSG4620500	100 ~ 240	23.1	46.2	500
XSG4750300	100 ~ 240	14.3	47.5	300
XSG4750400	100 ~ 240	19.0	47.5	400
XSG4750500	100 ~ 240	23.8	47.5	500
XSG4800300	100 ~ 240	14.4	48	300
XSG4800400	100 ~ 240	19.2	48	400
XSG4800500	100 ~ 240	24.0	48	500