



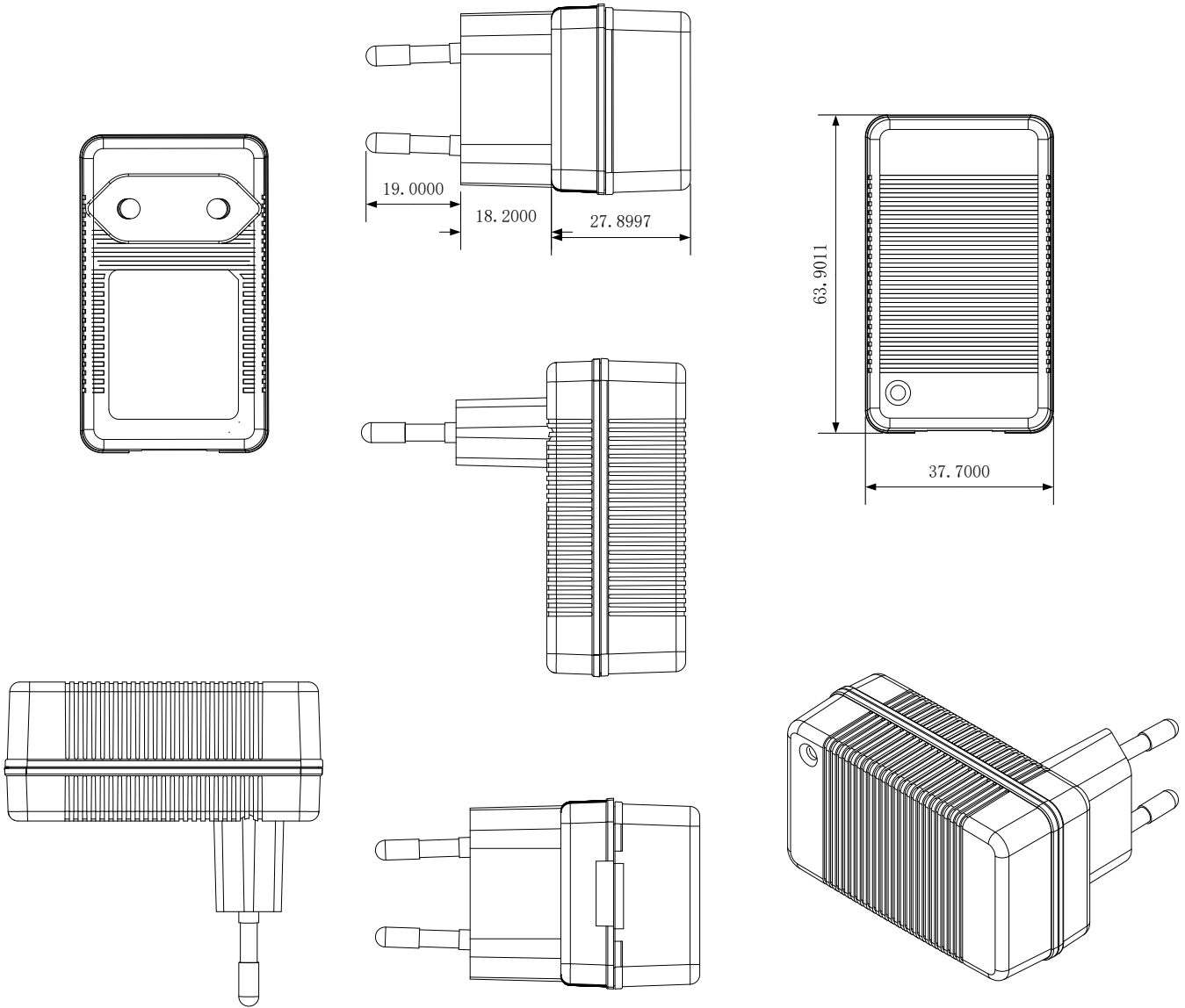
## Feature:

- \* Designed in USA, Made in China
- \* Global Certificates.
- \* Case Material: PC, GE brand
- \* Fanless Design.
- \* Fully sealed by ultrasonic welding.
- \* Capacitor imported from Taiwan.
- \* Support Interchangeable plug, EU, UK, US, AU, KR, JP, and CN Optional.
- \* Protection: Over Load/Over Voltage/Over Current/Over Temp/Short-Circuit.
- \* LED indicator show work status
- \* Meet Energy Efficiency VI, Comply with CEC VI, DOE VI.
- \* Comply With The Newest Safety Standard: UL62368, EN62368, IEC62368, IEC60950, IEC61558, IEC60335.
- \* Brand Power Cord and DC Wire matched our products.
- \* Customized Label and DC connector.

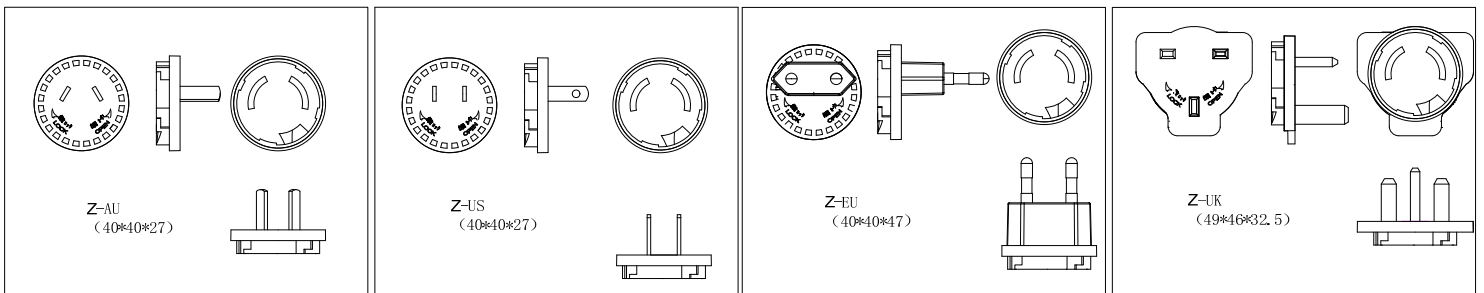
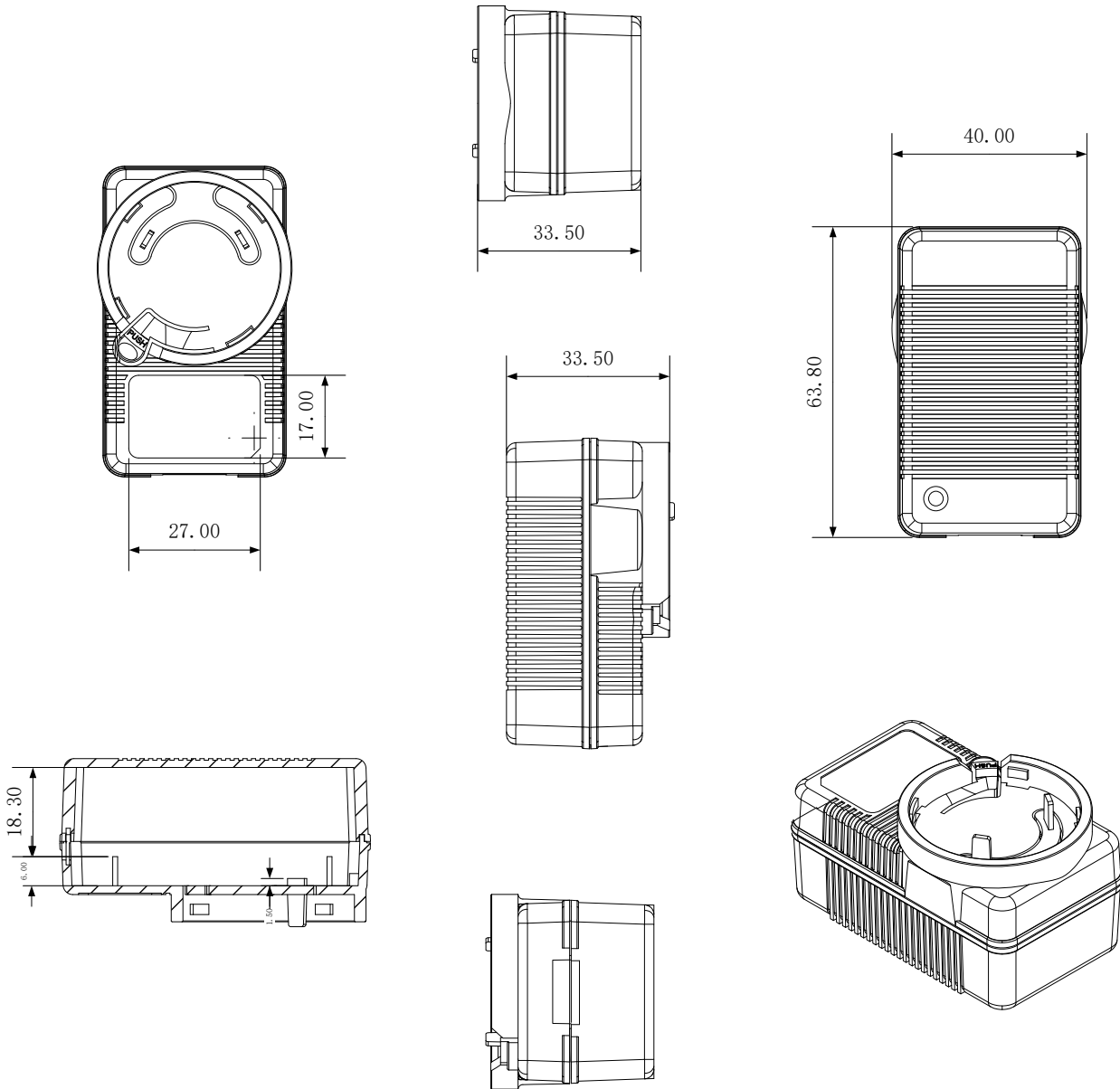
## Electric Parameter:

DC Output	Output Voltage	5V	6V	9V	10V	12V	15V	18V	20V	24V	
	Voltage Tolerance	±5%	±5%	±5%	±5%	±5%	±5%	±5%	±4%	±4%	
	Rated Current	3A	2A	1.5A	1A	1.2A	1A	0.8A	0.8A	0.6A	
	Output Current	0-3A	0-2A	0-1.5A	0-1A	0-1.2A	0-1A	0-0.8A	0-0.8A	0-0.6A	
	Ripple and Noise:	<90mVp-p	<90mVp-p	<90mVp-p	<90mVp-p	<100mVp-p	<100mVp-p	<100mVp-p	<100mVp-p	<100mVp-p	
	LED Indicator	W or W/O									
AC Input	Input Voltage Range	90~264Vac									
	Rated Input Voltage:	100-240Vac									
	Frequency Range:	47~62hz									
	Input Current Max:	0.6A									
	Inrush Current:	35A Max/240V									
	Efficiency:	82%	83%	84%	84%	85%	86%	86%	87%	88%	
	No load Input Power	≤0.1W									
	Leakage Current:	<0.25mA/240V									
Protection	Over Load	When output power between 110%-135% of rated output power, turns to Hiccup mode.									
	Over Voltage	When output voltage between 110%-135% of rated output voltage, turns to Hiccup mode.									
	Over Current	Hiccup mode, recovers automatically after fault condition is removed									
	Short Circuit	Hiccup mode, recovers automatically after fault condition is removed									
Environment	Operating Temp:	0°C ~ +45°C									
	Storage Temp:	-30°C ~ +70°C									
	Relative Humidity:	10%~90%									
	Vibration and Shock	Meet MIL-STD-810D									
Safety	Safety Standard	IEC62368,IEC60065,IEC60950,IEC61558,IEC60335									
	EMC/EMI	Meet FCC CLASS B,EN55022 CLASS B.									
	EMS	EN61000—4—2/3/4/5									
	Drop Testing	3 drops from 1 m height on a hard wooden surface									
Life Time	MTBF	50000 Hours									
	Warranty	3 years									
Dimension	L63.9*W37.7*H27.9mm										
Drawing	Please See next page										
Packing	100pcs/CTN, CTN size:L46*W29.5*H33CM										
Color	Black or White										

# Drawing(mm): Fixed AC plug type



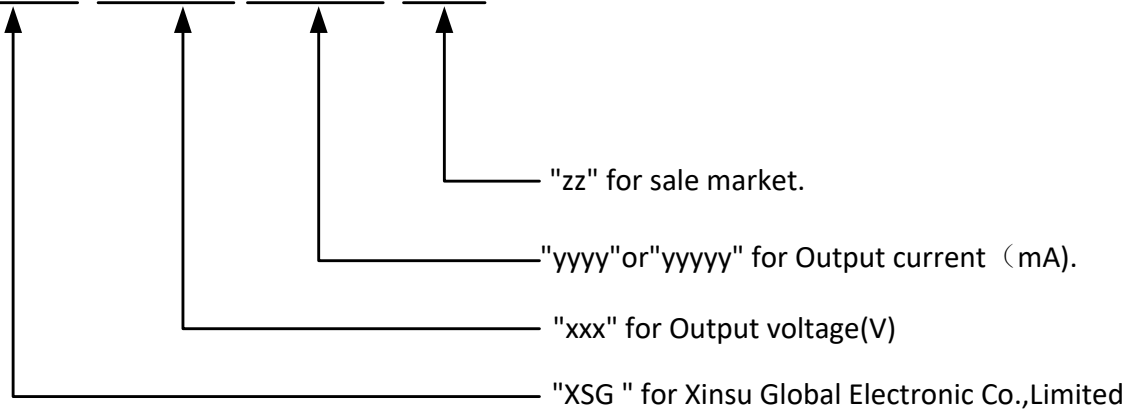
# Drawing(mm): Interchangeable plug type



## Model List:

### Model Name instruction:

E.G.: XSG xxx yyyy zz



Model No	AC Input	Power Rate	Output Voltage(V)	Output Current(mA)
XSG0500300	100~240	1.5	5	300
XSG0500400	100~240	2.0	5	400
XSG0500500	100~240	2.5	5	500
XSG0500600	100~240	3.0	5	600
XSG0500700	100~240	3.5	5	700
XSG0500800	100~240	4.0	5	800
XSG0500900	100~240	4.5	5	900
XSG0501000	100~240	5.0	5	1000
XSG0501200	100~240	6.0	5	1200
XSG0501500	100~240	7.5	5	1500
XSG0501750	100~240	8.8	5	1750
XSG0502000	100~240	10.0	5	2000
XSG0502100	100~240	10.5	5	2100
XSG0502500	100~240	12.5	5	2500
XSG0503000	100~240	15.0	5	3000
XSG0600300	100~240	1.8	6	300
XSG0600400	100~240	2.4	6	400
XSG0600500	100~240	3.0	6	500
XSG0600600	100~240	3.6	6	600
XSG0600700	100~240	4.2	6	700

XSG0600800	100~240	4.8	6	800
XSG0600900	100~240	5.4	6	900
XSG0601000	100~240	6.0	6	1000
XSG0601500	100~240	9.0	6	1500
XSG0602000	100~240	12.0	6	2000
XSG0720300	100~240	2.2	7.2	300
XSG0720400	100~240	2.9	7.2	400
XSG0720500	100~240	3.6	7.2	500
XSG0720600	100~240	4.3	7.2	600
XSG0720700	100~240	5.0	7.2	700
XSG0720800	100~240	5.8	7.2	800
XSG0720900	100~240	6.5	7.2	900
XSG0721000	100~240	7.2	7.2	1000
XSG0721500	100~240	10.8	7.2	1500
XSG0722000	100~240	14.4	7.2	2000
XSG0900300	100~240	2.7	9	300
XSG0900400	100~240	3.6	9	400
XSG0900500	100~240	4.5	9	500
XSG0900600	100~240	5.4	9	600
XSG0900700	100~240	6.3	9	700
XSG0900800	100~240	7.2	9	800
XSG0900900	100~240	8.1	9	900
XSG0901000	100~240	9.0	9	1000
XSG0901200	100~240	10.8	9	1200
XSG0901500	100~240	13.5	9	1500
XSG1000300	100~240	3.0	10	300
XSG1000400	100~240	4.0	10	400
XSG1000500	100~240	5.0	10	500
XSG1000600	100~240	6.0	10	600
XSG1000700	100~240	7.0	10	700
XSG1000800	100~240	8.0	10	800
XSG1000900	100~240	9.0	10	900
XSG1001000	100~240	10.0	10	1000
XSG1001500	100~240	15.0	10	1500
XSG1200300	100~240	3.6	12	300
XSG1200400	100~240	4.8	12	400
XSG1200500	100~240	6.0	12	500
XSG1200600	100~240	7.2	12	600
XSG1200700	100~240	8.4	12	700

XSG1200800	100~240	9.6	12	800
XSG1200900	100~240	10.8	12	900
XSG1201000	100~240	12.0	12	1000
XSG1201200	100~240	14.4	12	1200
XSG1201250	100~240	15.0	12	1250
XSG1300300	100~240	3.9	13	300
XSG1300400	100~240	5.2	13	400
XSG1300500	100~240	6.5	13	500
XSG1300600	100~240	7.8	13	600
XSG1300700	100~240	9.1	13	700
XSG1300800	100~240	10.4	13	800
XSG1300900	100~240	11.7	13	900
XSG1301000	100~240	13.0	13	1000
XSG1350300	100~240	4.1	13.5	300
XSG1350400	100~240	5.4	13.5	400
XSG1350500	100~240	6.8	13.5	500
XSG1350600	100~240	8.1	13.5	600
XSG1350700	100~240	9.5	13.5	700
XSG1350800	100~240	10.8	13.5	800
XSG1350900	100~240	12.2	13.5	900
XSG1351000	100~240	13.5	13.5	1000
XSG1400300	100~240	4.2	14	300
XSG1400400	100~240	5.6	14	400
XSG1400500	100~240	7.0	14	500
XSG1400600	100~240	8.4	14	600
XSG1400700	100~240	9.8	14	700
XSG1400800	100~240	11.2	14	800
XSG1400900	100~240	12.6	14	900
XSG1401000	100~240	14.0	14	1000
XSG1500300	100~240	4.5	15	300
XSG1500400	100~240	6.0	15	400
XSG1500500	100~240	7.5	15	500
XSG1500600	100~240	9.0	15	600
XSG1500700	100~240	10.5	15	700
XSG1500800	100~240	12.0	15	800
XSG1500900	100~240	13.5	15	900
XSG1501000	100~240	15.0	15	1000
XSG1600300	100~240	4.8	16	300
XSG1600400	100~240	6.4	16	400

XSG1600500	100~240	8.0	16	500
XSG1600600	100~240	9.6	16	600
XSG1600700	100~240	11.2	16	700
XSG1600800	100~240	12.8	16	800
XSG1600900	100~240	14.4	16	900
XSG1601000	100~240	16.0	16	1000
XSG1700300	100~240	5.1	17	300
XSG1700400	100~240	6.8	17	400
XSG1700500	100~240	8.5	17	500
XSG1700600	100~240	10.2	17	600
XSG1700700	100~240	11.9	17	700
XSG1700800	100~240	13.6	17	800
XSG1700900	100~240	15.3	17	900
XSG1800300	100~240	5.4	18	300
XSG1800400	100~240	7.2	18	400
XSG1800500	100~240	9.0	18	500
XSG1800600	100~240	10.8	18	600
XSG1800700	100~240	12.6	18	700
XSG1800800	100~240	14.4	18	800
XSG1830300	100~240	5.5	18.3	300
XSG1830400	100~240	7.3	18.3	400
XSG1830500	100~240	9.2	18.3	500
XSG1830600	100~240	11.0	18.3	600
XSG1830700	100~240	12.8	18.3	700
XSG1830800	100~240	14.6	18.3	800
XSG1830900	100~240	16.5	18.3	900
XSG1900300	100~240	5.7	19	300
XSG1900400	100~240	7.6	19	400
XSG1900500	100~240	9.5	19	500
XSG1900600	100~240	11.4	19	600
XSG1900700	100~240	13.3	19	700
XSG1900800	100~240	15.2	19	800
XSG1950300	100~240	5.9	19.5	300
XSG1950400	100~240	7.8	19.5	400
XSG1950500	100~240	9.8	19.5	500
XSG1950600	100~240	11.7	19.5	600
XSG1950700	100~240	13.7	19.5	700
XSG1950800	100~240	15.6	19.5	800
XSG2000300	100~240	6.0	20	300



XSG2000400	100~240	8.0	20	400
XSG2000500	100~240	10.0	20	500
XSG2000600	100~240	12.0	20	600
XSG2000700	100~240	14.0	20	700
XSG2000800	100~240	16.0	20	800
XSG2100300	100~240	6.3	21	300
XSG2100400	100~240	8.4	21	400
XSG2100500	100~240	10.5	21	500
XSG2100600	100~240	12.6	21	600
XSG2100700	100~240	14.7	21	700
XSG2200300	100~240	6.6	22	300
XSG2200400	100~240	8.8	22	400
XSG2200500	100~240	11.0	22	500
XSG2200600	100~240	13.2	22	600
XSG2200700	100~240	15.4	22	700
XSG2250300	100~240	6.8	22.5	300
XSG2250400	100~240	9.0	22.5	400
XSG2250500	100~240	11.3	22.5	500
XSG2250600	100~240	13.5	22.5	600
XSG2250700	100~240	15.8	22.5	700
XSG2400300	100~240	7.2	24	300
XSG2400400	100~240	9.6	24	400
XSG2400500	100~240	12.0	24	500
XSG2400600	100~240	14.4	24	600
XSG2550300	100~240	7.7	25.5	300
XSG2550400	100~240	10.2	25.5	400
XSG2550500	100~240	12.8	25.5	500
XSG2550600	100~240	15.3	25.5	600
XSG2700300	100~240	8.1	27	300
XSG2700400	100~240	10.8	27	400
XSG2700500	100~240	13.5	27	500
XSG2800300	100~240	8.4	28	300
XSG2800400	100~240	11.2	28	400
XSG2800500	100~240	14.0	28	500
XSG2900300	100~240	8.7	29	300
XSG2900400	100~240	11.6	29	400
XSG2900500	100~240	14.5	29	500
XSG3000300	100~240	9.0	30	300
XSG3000400	100~240	12.0	30	400



15W AC-DC Adapter (Interchangeable Plug Optional)

**15W Series**

---

XSG3000500	100~240	15.0	30	500
------------	---------	------	----	-----